

Product information

DuraJet 10 G5 Rockwell hardness tester



Area of usage

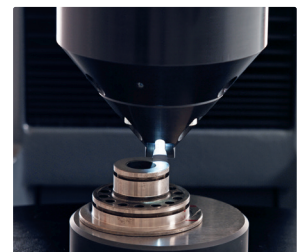
Universal Rockwell hardness tester with high test load range 9.8 N to 2450 N (1 kg to 250 kg) according to the following standards:

- Rockwell DIN EN ISO 6508, ASTM E18
- Carbon test according to DIN EN 51917
- Plastics test DIN EN ISO 2039
- HVD, HBD depth measurement (non-standard)

Advantages/Features

- Wide range of applications in the production environment due to large standard load range (1 - 250 kg), robust machine design and 7" touch display, developed for industrial use
- Short cycle times and simple operation
- Continuous and precise force application due to electronic force measurement sensor
- LED-lights (dimnable) for precise measurement point placement, even in difficult lighting conditions
- Electronically controlled test cycle (PLC) and automatic evaluation of the test indent without further adjustments by the operator
- Slim test head to test even complex component geometries
- Clamped or unclamped tests possible

- Multiple possibilities for saving and transmitting the test data
- Auto start on touching the work piece - clamping and starting the test in one step
- Measurement data management for the creation of measurement groups that can be assigned to users, batches or components
- With the template function, all test parameters for e.g. components can be saved and quickly recalled for the next test
- Jominy module for testing Jominy samples (optional)
- Hardware interface for integration into automation systems and external control, e.g. also with a foot switch (optional)



Product information

DuraJet 10 G5 Rockwell hardness tester

ecos Workflow DuraJet Edition - intuitive operating software

Workflow-based measurement in 3 steps (sample, method, test)

Simple operation

Simple operation and guided measurement process up to data backup. Intuitive user interface shortens training time and reduces operating errors

Useful features

- QR code function for efficient control - easy creation and reading of relevant data
- Reduction of operator effort and possible operating errors through grouped measurement data management and use of the template function

Data output

- All test data can be output directly via the serial interface (USB RS232 adapter). The data saved in .csv format on a USB stick or directly on a network drive can be further processed with a wide variety of applications (e.g.: spreadsheet programs).
- Test reports can be exported via USB as PDF, DIN A4 printer or to a network drive

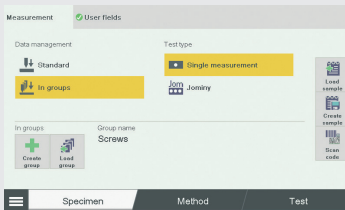


Product information

DuraJet 10 G5 Rockwell hardness tester

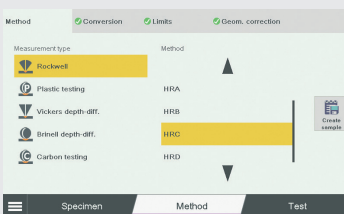
Step 1: Specimen

Select the test type or load existing templates (settings) from a list or via a linked code with a connected bar code/QR code scanner. The DuraJet G5 additionally allows for the archiving of structured test data. Already at this point, data groups can be created or loaded which are then used to store all test data. This is in addition to the standard test data management, which saves all test results in a collection list.



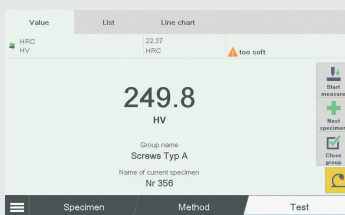
Step 2: Method

Select test methods, conversions, geometric corrections, and limits. All settings can be saved as a template. The test data management used is also stored in the template. This provides for the easiest assignment of tests to components, lots, production lines or operators.



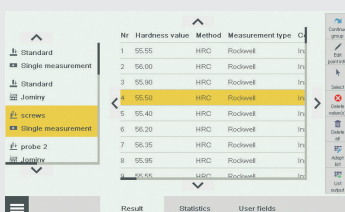
Specimen 3: Test

Perform the measurement. Adjust the working space lighting according to your requirements. This is where test results, conversions, the current measurement data grouping or limit value violations are displayed. All tests with the selected data groups can be displayed as lists at any time.



Archive

The archive collects all measurement data groups and all measurements. Statistical values can be displayed from each measurement data group and the measured values can be exported, saved or printed as a report.

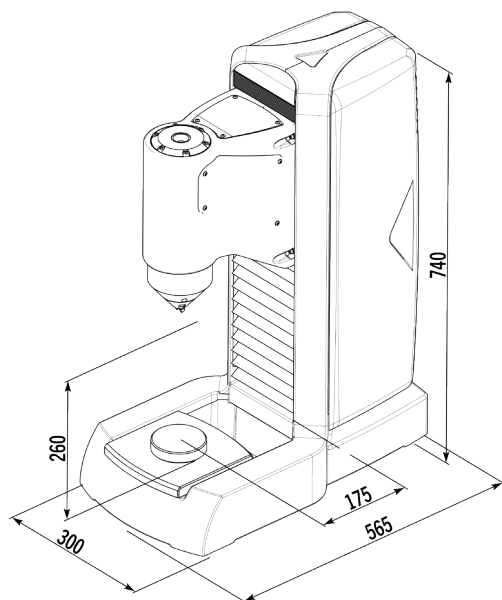


Product information

DuraJet 10 G5 Rockwell hardness tester

DuraVision 10 G5

Typ	DuraJet 10 G5
Load range	9,8-2450N (1kg -250kg)
Resolution of depth measurement	0,02 µm
Resolution of load measurement	24 bit
Dimensions (W x H x D)	300 x 740 x 565 mm
Weight	approx. 110 kg
Max. test height	260 mm
Voltage supply	110 ... 230 V (PH,N,PE)
Frequency	50/60 Hz
Power consumption	120 W
Test anvil	Ø 90 mm
Test anvil support	Ø 25 mm
Nose cone support diameter (standard)	Ø 15 mm
Throat depth	175 mm
Room temperature (to ISO/ASTM)	23 (± 5)°C
Humidity	max. 90% (non-condensing)
Max. workpiece weight	100 kg
Protection class to EN 60529	IP20



Accessories

Description

- C-Adapter
- Nose cone extension
- Large test anvil
- Foot switch
- Plane tables
- V-tables