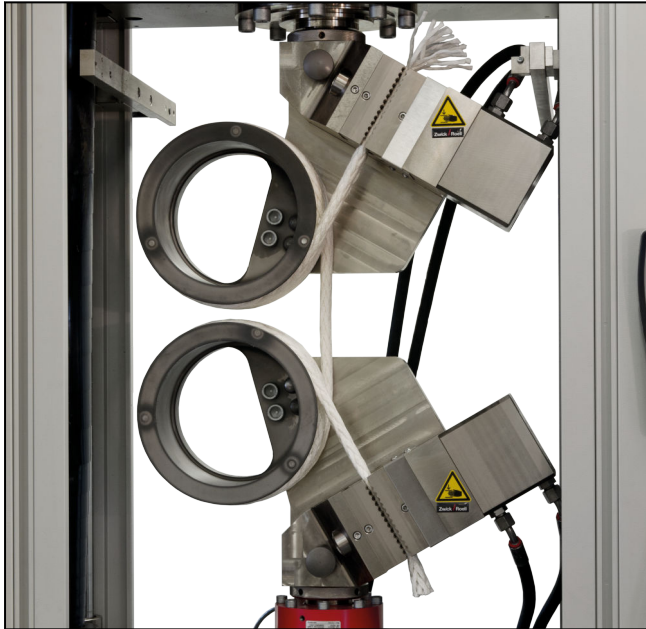


## Product Information

### Grips for ropes Type 8570, Fmax 100 kN

CTA: 40647 40648



Type 8570 grips for ropes, Fmax 100 kN

#### Applications

- Specimen material:  
metals, plastics, textiles
- Specimen shape:  
ropes, cables
- Type of loading:  
tensile

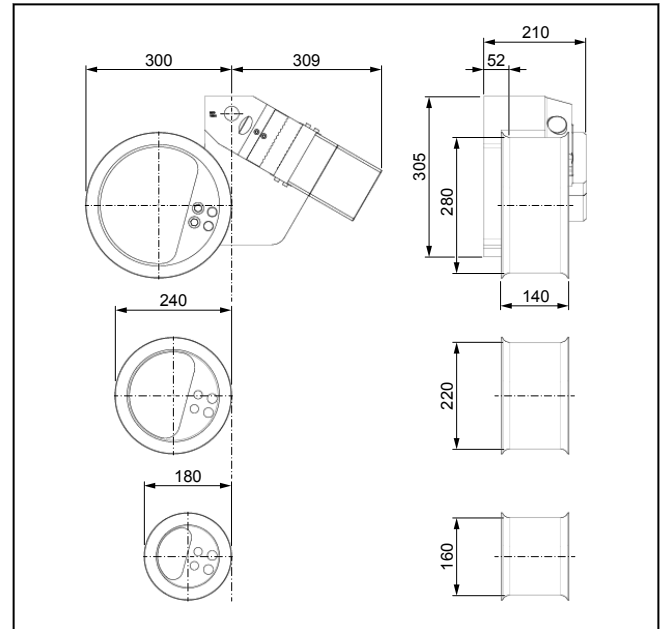
#### Function description

The rope grips can be used for testing dimensionally unstable tensile specimens.

The specimen is passed around the load reduction roller one or more times. The resulting frictional force reduces the tensile stress before the hydraulic clamp at the end of the rope sufficiently to avoid jaw breaks.

These rope grips feature modular design to enable optimum adaptation to accommodate the specimen material. They consist of jaws and load-reduction rollers:

- large-diameter roller for rigid ropes (wire, wire ropes)
- small-diameter roller for flexible ropes (natural fiber, man-made ropes).



Type 8570 grips for ropes, Fmax 100 kN, general view

The specimen is automatically centered on insertion by the predetermined groove in the load reduction roller.

#### Advantages and features

- Looping the specimen around the load reduction roller ensures gentle clamping without jaw breaks.
- Fast, easy insertion and centering of the specimen is made possible by a guide groove in the load reduction roller.
- Interchangeable load reduction rollers enable optimum adaptation of the specimen grips to accommodate different specimen materials.
- If the application changes the jaws can be changed over quickly and easily - no tools required. The jaws are centered automatically.
- The hydraulic clamping ensures precisely defined, reproducible gripping pressure.
- High gripping forces ensure secure clamping of the specimen. The need for specimen pre-treatment such as coating the ends is eliminated.

## Product Information

Grips for ropes Type 8570, F<sub>max</sub> 100 kN

### Technical data

Item No.	072965 <sup>1)2)</sup>	
Type	8570	
Test load F <sub>max</sub>	100	kN
Closing force (compression, max at 300 bar)	170	kN
Connection, pin	Ø 60	mm
Weight per grip unit, approx.	52	kg
Ambient temperature	+10 to +35	°C
Scope of delivery	2	pieces

1) Hydraulic power-pack required

2) Only in connection with load cell Xforce K

### Accessories required

#### Jaws (1x required)

Scope of delivery: 1 set (= 4 pieces)

Version	Gripping area (H x W) [mm]	Opening width, max. [mm]	Hardness	Item No.
Flat jaws, steel, fsc <sup>1)</sup> 0.75 mm	100 x 60	35	61 HRC	072984
Jaws, corrugated steel	100 x 60	33	200 HV	072985
Flat jaws, steel, smooth	100 x 60	35	61 HRC	072987

1) Fsc = fish scale

#### Load-reduction rollers (1 x required)

Scope of delivery: 2 pieces

Range of application	Loop diameter [mm]	Depth [mm]	Weight, approx. [kg]	Item No.
Flexible man-made and wire ropes	160	140	9.6	072989
Rigid man-made and natural-fiber ropes, flexible wire-ropes	220	140	13.5	072992
High tensile force, rigid ropes, wire	280	140	17.3	072993