

Product Information

Grips for insulating materials type 8330, Fmax 10 kN

CTA: 217083



Type 8330 grips for insulating materials, Fmax 10 kN

Applications

- Specimen material:
insulating materials
- Specimen shape:
flat specimens
- Type of loading:
tensile

Function description

The grips for insulating materials are designed for standard-compliant testing of insulating materials to DIN 18164 Part 1 and DIN 18165 Part 1.

The closing force is applied via a screw unit. The specimen grip is opened and closed via a hand crank.

Jaws with pins are available for the specimen grips. They are pressed into the specimen during gripping, applying the tensile forces in this manner. Flat jaws with serrated steel surfaces can be used in special cases.

Advantages and features

- The clamping distance is symmetrical to the tensile axis. This is advantageous because the specimen is not subject to bending moments.
- Secure gripping is ensured by protruding pins located in the jaws.
- A support grip located in the center of the screw grips facilitates gripping and vertical alignment of the specimen.

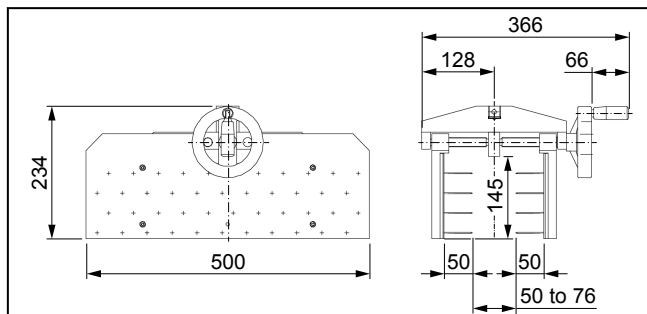
Product Information

Grips for insulating materials type 8330, F_{max} 10 kN

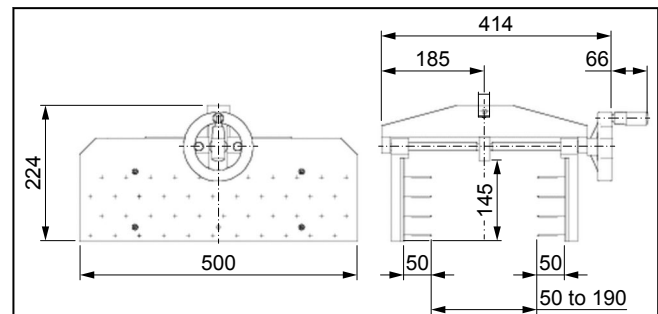
Technical data

Item No.	318405	318407	
Type	8330	8330	
Test load F _{max}	10	10	kN
Dimensions			
Height	234	244	mm
Width	256	370	mm
Width with hand wheel	366	480	mm
Depth	500	500	mm
Opening width, max. with jaws	See jaws	See jaws	
Weight per specimen grip, approx.	30	32	kg
Connection, stud	Ø 20	Ø 20	mm
Ambient temperature	0 ... +50	0 ... +50	°C
Scope of delivery	2	2	pieces

CTA: 40470 51705



Type 8330 specimen grips, width 366 mm (Item No. 318405), with Vulkolan jaws with steel needles, length 50 mm



Type 8330 specimen grips, width 480 mm (Item No. 318407), with Vulkolan jaws with steel needles, length 50 mm

Accessories required

Flat jaws

Scope of delivery: 1 set (= 4 pieces)

Version	Specimen thickness for Item 318405 [mm]	Specimen thickness for Item 318407 [mm]	Gripping area		Ambient temperature [°C]	Item No.
			Height [mm]	Width [mm]		
Vulkolan with steel needles, length 20 mm	20 ... 120	20 ... 234	145	500	0 ... +50	318409
Vulkolan with steel needles, length 50 mm	50 ... 76	50 ... 190	145	500	0 ... +50	318411
Steel, Dr ¹⁾ 1 mm	0 ... 138	0 ... 252	145	500	0 ... +50	318413

1) Dr = roof grid